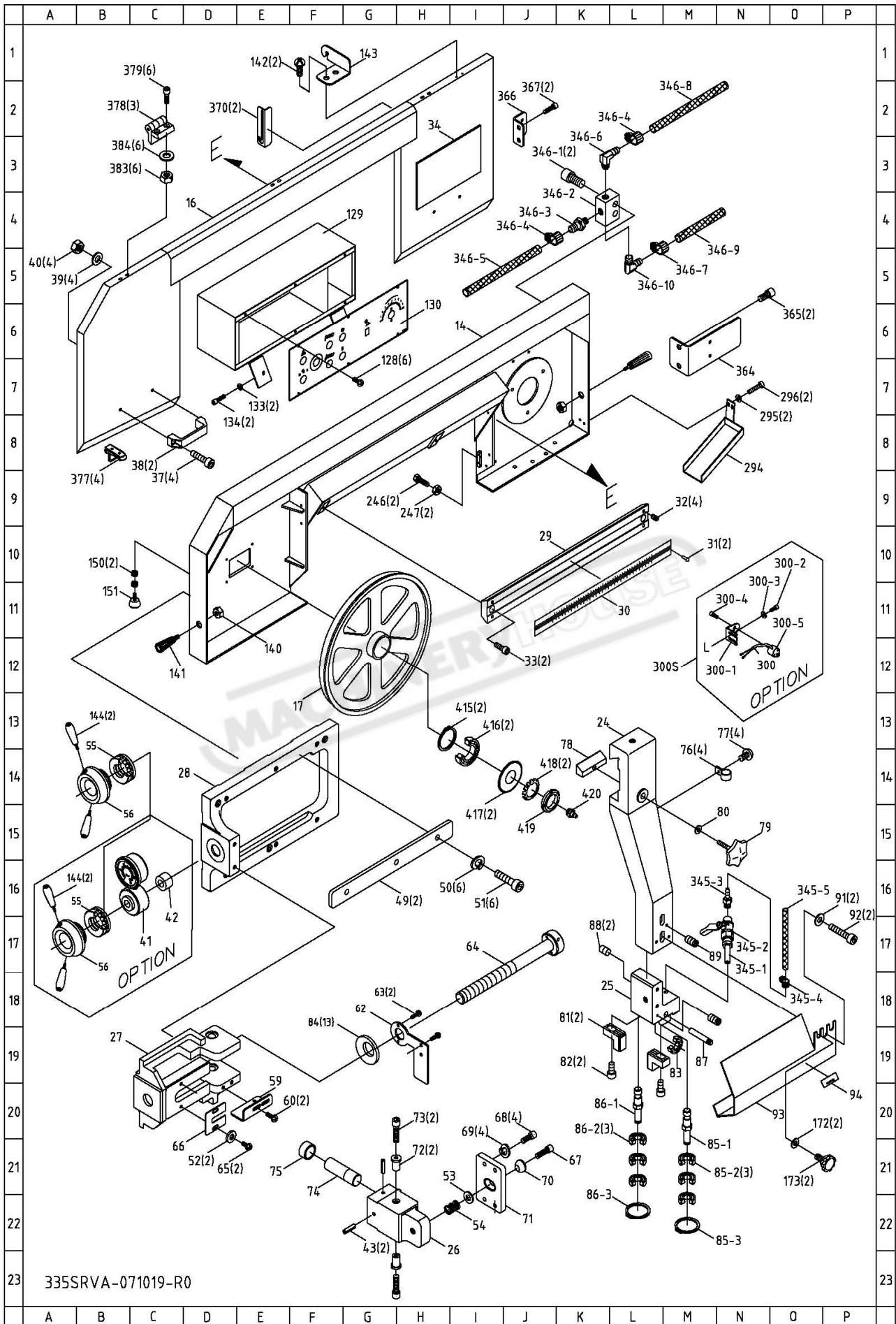
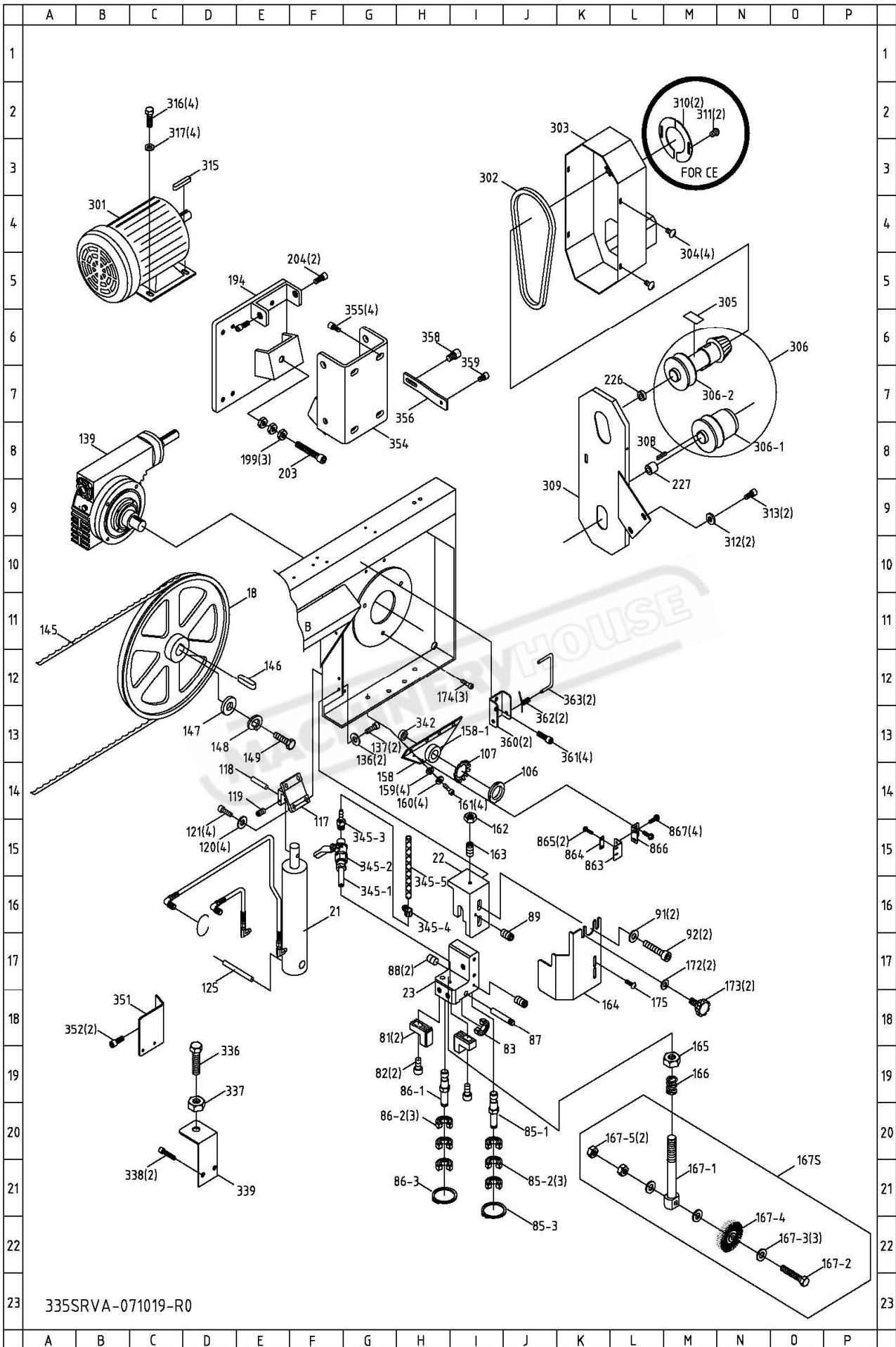
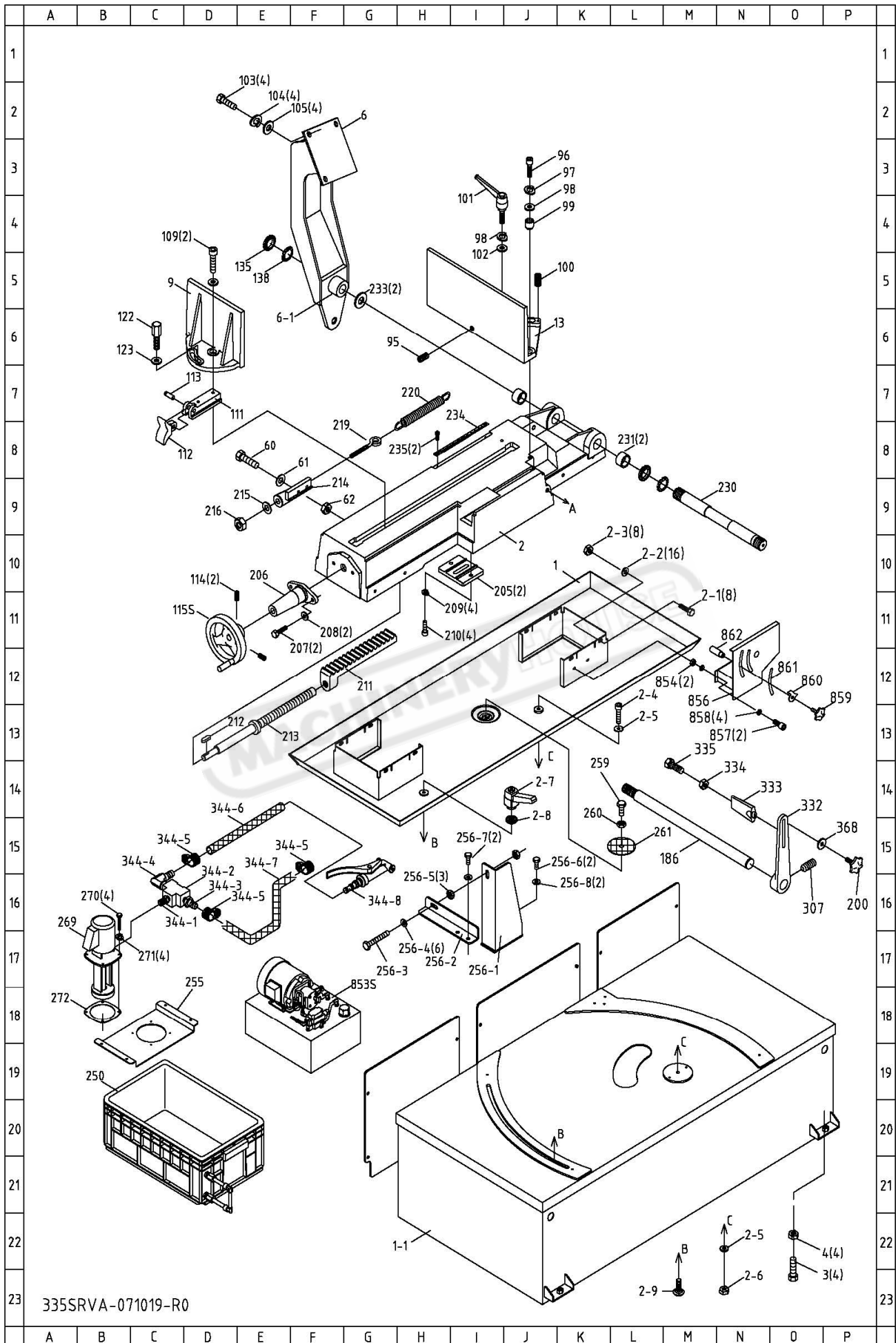


16. PARTS LISTS







PARTS LIST**MODEL NO. 335SRVA**

CODE_NO	PART_NO	DESCRIPTION	SPECIFICATION	QTY	NOTE
1	103301RA	Fluid Collected Plate		1.00	
1-1	103301R	Stand		1.00	
2	103302	Base		1.00	
2-1	HS050	Hex. Head Screw	M8-1.25Px40L	8.00	
2-2	W016	Washer	5/16"x23x2mm	16.00	
2-3	HN005	Hex. Nut	M8	8.00	
2-4	HS259	Hex. Socket Head Screw	M10X25L	1.00	
2-5	HW030	Washer	M10x27x2t	2.00	
2-6	HB804	Hex. Nut	M10	1.00	
2-7	103330	Knob		1.00	
2-8	HW030	Washer	M10x27x2t	1.00	
2-9	32427	Carriage Screw	3/8"	1.00	
3	HS093	Hex. Head Screw	M12x50L	4.00	
4	HN007	Hex. Nut	M12	4.00	
6	103045R	Rear Pivot Bracket		1.00	
6-1	105073	Bushing		1.00	
9	103316	Vise Jaw Bracket(Front)		1.00	
13	103315	Vise Jaw Bracket(Rear)		1.00	
14	103041B	Body Frame		1.00	
16	103138S	Blade Back Cover		1.00	
17	103024	Idler Wheel Assembly		1.00	
18	103025	Drive Wheel		1.00	
21	103091A	Cylinder Assembly		1.00	
22	103032	Arm (Right)		1.00	
23	103029	Blade Adjustable (Rear)		1.00	
24	103031	Arm (Left)		1.00	
25	103030	Bearing Bracket (Left)		1.00	
26	103252A	Blade Angle Adjusting Bracket		1.00	
27	103250	Blade Tension Sliding Plate		1.00	
28	103251	Anchor Block		1.00	
29	1965011	Column		1.00	
30	103008C	Scale		1.00	
31	HH001	Rivet	2x5L	2.00	
32	HS432	Hex. Socker Headless Screw	M8x20L	4.00	
33	HS278	Hex. Socket Head Screw	M12x20L	2.00	
34	103157	Blade Select Chart		1.00	
37	HS242	Hex. Socket Head Screw	M8x20L	4.00	
38	1965052	Knob		2.00	
39	HW005	Washer	M8	4.00	
40	HN005	Hex. Nut	M8	4.00	
41	198170	Pressure Gauge		1.00	OPTION

PARTS LIST**MODEL NO. 335SRVA**

CODE_NO	PART_NO	DESCRIPTION	SPECIFICATION	QTY	NOTE
42	103328	Bushing		1.00	OPTION
43	HP023	Pin	5X45L	2.00	
49	103259	Gib		2.00	
50	HW105	Spring Washer	M8	6.00	
51	HS246	Hex. Socket Head Screw	M8x40L	6.00	
52	HW003	Washer	M5	2.00	
53	HW006	Washer	M10	1.00	
54	101116	Spring		1.00	
55	CA51203	Bearing	51203	1.00	
56	198051A	Blade Tension Handle		1.00	OPTION
56	103257	Blade Tension Handle		1.00	
59	103261	Switch Base		1.00	
60	HS049	Hex. Head Screw	M8x35L	2.00	
61	HN005	Hex. Nut	M8	2.00	
62	HW028	Washer	8*18-2.0t (M8)	1.00	
63	HS511	Cross Round Head Screw	M4X20L	2.00	
64	103327	Leadscrew		1.00	OPTION
64	103255	Leadscrew		1.00	
65	HS519	Cross Round Head Screw	M5x8L	2.00	
66	191415	Tension Indicating Plate		1.00	
67	HS262	Hex. Socket Head Screw	M10x40L	1.00	
68	HS229	Hex. Socket Head Screw	M6x15L	4.00	
69	HW104	Spring Washer	M6	4.00	
70	101008	Hemicycle Washer		1.00	
71	103258	Washer		1.00	
72	103260	Shaft Bushing		2.00	
73	HS231	Hex. Socket Head Screw	M6x25L	2.00	
74	103111	Shaft		1.00	
75	191404	Bushing		1.00	
76	HD608	Hose Clamp	12	4.00	
77	HS519	Cross Round Head Screw	M5x10L	4.00	
78	1965014	Gib		1.00	
79	1965015	Blade Adjustable Knob		1.00	
80	HW006	Washer	M10	1.00	
81	103120	Carbide Guide		4.00	
82	HS230	Hex. Socket Head Screw	M6x20L	4.00	
83	CA609ZZ	Bearing	609ZZ	2.00	
84	191414	Disc Spring		13.00	
85	103027AS	Bearing Shaft Assembly		2.00	
85-1	103027A	Bearing Shaft		2.00	
85-2	CA609ZZ	Bearing	609ZZ	6.00	

PARTS LIST**MODEL NO. 335SRVA**

CODE_NO	PART_NO	DESCRIPTION	SPECIFICATION	QTY	NOTE
85-3	HSC01	C-Retainer Ring	S10	2.00	
86	103028AS	Eccentric Shaft Assembly		2.00	
86-1	103028A	Eccentric Shaft		2.00	
86-2	CA609ZZ	Bearing	609ZZ	6.00	
86-3	HSC01	C-Retainer Ring	S10	2.00	
87	103026	Bearing Pin		2.00	
88	HS414	Hex. Socker Headless Screw	M5x10L	4.00	
89	HS422	Hex. Socker Headless Screw	M6x10L	2.00	
91	HW005	Washer	M8	4.00	
92	HS243	Hex. Socket Head Screw	M8x25L	4.00	
93	105013	Blade Guard (Front)		1.00	
94	196504	Label		1.00	
95	HS434	Hex. Headless Screw	M8-P1.25x30L	1.00	
96	HS281	Hex. Head Screw	M12-1.5Px35L	1.00	
97	HW106	Spring Washer	10.2-3t	2.00	
98	HW023	Washer	o10.5*o21Xt2mm	2.00	
99	1966004	Bushing		1.00	
100	HS422	Hex. Headless Screw	M6-P1.0x10L	1.00	
101	191210	Knob		1.00	
102	HW025	Washer	o10.5*o27Xt3mm	2.00	
103	HS258	Hex. Socket Head Screw	M10x20L	4.00	
104	HW106	Spring Washer	M10	4.00	
105	HW006	Washer	M10	4.00	
106	103106	Nut	AN07	2.00	
107	HW206	Washer	AW07	2.00	
109	HS265	Hex. Socket Head Screw	M10x55L	1.00	
111	103054	Bracket		1.00	
112	103053	Rack Hook		1.00	
113	103069	Pin		1.00	
114	HS422	Hex. Socker Headless Screw	M6x10L	2.00	
115S	187055S	Handwheel		1.00	
	187055A	Handwheel		1.00	
	189055R	Knob		1.00	
	HS422	Hex. Headless Screw	M6-P1.06x10L	1.00	
117	103060	Cylinder Upper Support		1.00	
118	103078	Pivot Pin		1.00	
119	HS422	Hex. Socker Headless Screw	M6x10L	1.00	
120	HW005	Washer	M8	4.00	
121	HS242	Hex. Socket Head Screw	M8x20L	4.00	
122	189067	Fixed Bolt		1.00	
123	191209	Bushing		1.00	

PARTS LIST

MODEL NO. 335SRVA

CODE_NO	PART_NO	DESCRIPTION	SPECIFICATION	QTY	NOTE
125	103317	Pivot Pin		1.00	
128	HS519	Cross Round Head Screw	M5x10L	6.00	
129	105053N	Control Box		1.00	
130	105058N	Control Plate		1.00	
133	HW004	Washer	M6	2.00	
134	HS527	Cross Round Head Screw	M6x10L	2.00	
135	103106	AN07	Nut	2.00	
136	HW005	Washer	M8	2.00	
137	HS242	Hex. Socket Head Screw	M8X20L	2.00	
138	HW206	AW07	Washer	2.00	
139	19116S-1	Gear Box Assembly		1.00	
140	N005	Hex. Nut	3/8"	2.00	
141	189033	Handle		2.00	
142	HS519	Cross Round Head Screw	M5x10L	2.00	
143	103136	Bracker		1.00	
144	198086	Knob		2.00	OPTION
144	623124	Knob		2.00	
145	103108	Blade	27x0.9x3810L-4/6T	1.00	
146	HK044	Key	7x7x30L	1.00	
147	HW006	Washer	M10	1.00	
148	HW106	Spring Washer	M10	1.00	
149	HS059	Hex. Head Screw	M10x25L	1.00	
150	HN005	Hex. Nut	M8-1.25P	2.00	
151	189087	Screw	M8-1.25P	1.00	
158	103046C	Bracket		1.00	
158-1	103165	Bushing		1.00	
159	HW106	Spring Washer	M10	4.00	
160	HW006	Washer	M10	4.00	
161	HS258	Hex. Socket Head Screw	M10x20L	4.00	
162	HN005	Hex. Nut	M8	1.00	
163	HS433	Hex. Socker Headless Screw	M8x25L	1.00	
164	103049	Blade Guard (Rear)		1.00	
165	HN006	Hex. Nut	M10	1.00	
166	191333	Spring		1.00	
167S	103133S	Brush Assemble		1.00	
167-1	103133	Brush Shaft		1.00	
167-2	HE305	Cross Round Head Screw	M6-1.0x40L	1.00	
167-3	HW004	Washer	6.5*13-0.8t (M6)	3.00	
167-4	191334A	Brush		1.00	
167-5	HB802	Hex. Nut	M6	1.00	
172	HW004	Washer	M6	4.00	

PARTS LIST**MODEL NO. 335SRVA**

CODE_NO	PART_NO	DESCRIPTION	SPECIFICATION	QTY	NOTE
173	103127	Plum Screw	M6x10L	4.00	
174	HS258	Hex. Socket Head Screw	M10x20L	3.00	
175	HS519	Cross Round Head Screw	M5X8L	1.00	
186	189037	Distance Set Rod		1.00	
194	103151	Motor Plate		1.00	
199	HN006	Hex. Nut	M10	3.00	
200	196213	Plum Screw		1.00	
203	HS267	Hex. Socket Head Screw	M10x65L	1.00	
204	HS284	Hex. Socket Head Screw	M12x50L	2.00	
205	103058	Rack Support		2.00	
206	103326	Axle Base		1.00	
207	HS059	Hex. Head Screw	M10x25L	2.00	
208	HW006	Washer	M10	2.00	
209	HW105	Spring Washer	M8	4.00	
210	HS242	Hex. Socket Head Screw	M8x20L	4.00	
211	103056	Rack		1.00	
212	HK007	Key	5X5X15L	1.00	
213	103325	Acme Screw		1.00	
214	103388	Spring Bracket		1.00	
215	HW007	Washer	M12	1.00	
216	HN007	Hex. Nut	M12	1.00	
219	101033	Eye Bolt		1.00	
220	1976026	Spring	10	1.00	
226	103115	Washer Ring		1.00	
227	103101	Washer Ring		1.00	
230	103082R	Pivot Shaft		1.00	
231	103329	Axle Bushing	35x39x40B	2.00	
233	103088	Gap Ring		2.00	
234	103320	Meter		1.00	
235	HE501	Cross Tablet Head Screw	M5-P0.8x8L	2.00	
246	HS046	Hex. Head Screw	M8x20L	2.00	
247	HN005	Hex. Nut	M8	2.00	
250	103128	Coolant Tank		1.00	
251	103321	Coolant Bracket		1.00	
256-1	103319	Bracket		1.00	
256-2	103318	Bracket		1.00	
256-3	HS066	Hex. Head Screw	M10x60L	1.00	
256-4	HW006	Washer	M10	4.00	
256-5	HN006	Hex. Nut	M10	3.00	
256-6	HS046	Hex. Head Screw	M8x20L	2.00	
256-7	HS058	Hex. Head Screw	M10x20L	2.00	

PARTS LIST**MODEL NO. 335SRVA**

CODE_NO	PART_NO	DESCRIPTION	SPECIFICATION	QTY	NOTE
256-8	HW005	Washer	M8	2.00	
259	HS032	Hex. Head Screw	M6x10L	1.00	
260	HN004	Hex. Nut	M6	1.00	
261	191106A	Filter		1.00	
269	MB13304CR	Cooling Pump	HP1/8/400/50 /3	1.00	
270	HS033	Hex. Head Screw	M6x15L	4.00	
271	HW104	Spring Washer	M6	4.00	
272	1975007	Rubber Cushion		1.00	
294	103038	Splash Board		1.00	
295	HW104	Washer	M6	2.00	
296	HS229	Hex. Socket Head Screw	M6x12L	2.00	
300S	189072AS	Laser Set		1.00	OPTION
300	189074	Bracket		1.00	OPTION
300-1	189072A	Infrared		1.00	OPTION
300-2	HS558	Cross Round Head Screw	M5-0.8P*8L	3.00	OPTION
300-3	HW003	Washer	o5.3*o10Xt1mm	2.00	OPTION
300-4	HS558	Cross Round Head Screw	M5-0.8P*8L	2.00	OPTION
300-5	189073	Bracket Base		1.00	OPTION
301	MFH2059	Motor	3HP,400V,50HZ,3PH	1.00	
302	101090	Belt	(1422) 360V	1.00	
303	103098	Motor Pulley Cover		1.00	
304	HS519	Cross Round Head Screw	M5x10L	4.00	
305	103156	Speed Label	E=1/30	1.00	
306	1965032AS	Spindle Pulley		1.00	
306-1	1965033	Spindle Pulley	2HP 24	1.00	
306-2	1965032	Variable Speed Pulley	2HP 24	1.00	
307	HS422	Hex. Headless Screw	M6-1.0Px10L	1.00	
308	HK044	Key	7x7x30L	1.00	
309	103099A	Pulley Lower Cover		1.00	
310	105046	Cover		2.00	FOR CE
311	HS518	Cross Round Head Screw	M5x5L	2.00	FOR CE
312	HW004	Washer	M6	2.00	
313	HS228	Hex. Socket Head Screw	M6x10L	2.00	
315	HW005	Washer	M8	4.00	
316	HS045	Hex. Head Screw	M8x15L	4.00	
317	HK045	Key	7x7x35L	1.00	
332	189038	Support Rod		1.00	
333	1966008	Distance Set Bracket		1.00	
334	HN006	Hex. Nut	M10-1.5P	1.00	
335	HS059	Hex. Head Screw	M10-1.5Px25L	1.00	
336	HS062	Hex. Head Screw	M10x40L	1.00	

PARTS LIST**MODEL NO. 335SRVA**

CODE_NO	PART_NO	DESCRIPTION	SPECIFICATION	QTY	NOTE
337	HN006	Hex. Nut	M10	1.00	
338	HS219	Hex. Socket Head Screw	M5x15L	2.00	
339	103322	Lower Adjusting Support		1.00	
342	103088	Gap Ring		1.00	
344	103125S	Spray Assembly		1.00	
344-1	103125-1	Straight Connector	PT3/8"xPT3/8"	1.00	
344-2	103125-2	3 Way Connector	PT3/8"xPT3/8"Xpt3/8"	1.00	
344-3	103125-3	Straight Connector	PT3/8"x1/2"	1.00	
344-4	103125-4	Micro Control Block	PT3/8"x1/2"	1.00	
344-5	103125-5	Hose Clamp	ID 19	3.00	
344-6	103125-6	Net Tube	ID1/2"x2.8tx126cm	1.00	
344-7	103125-7	Net Tube	ID1/2"x2.8tx320cm	1.00	
344-8	103125-8	Spray		1.00	
345	103126S	Valve Assembly		2.00	
345-1	103126-1	Copper Tube	1/4"x4.2cm	2.00	
345-2	103126-2	Valve	PT1/8"x1/8"	2.00	
345-3	103126-3	Straight Connector	PT1/8"x1/4"	2.00	
345-4	103126-4	Hose Clamp	ID 12	2.00	
345-5	103127-3	Net Tube	ID1/4"x2.2tx143cm	2.00	
346	103127S	3 Way Valve Assembly		1.00	
346-1	HS232	Hex. Socket Head Screw	M6x30L	2.00	
346-2	105173	3 Way Valve		1.00	
346-3	103127-1	Straight Connector	PT1/4"x1/4"	1.00	
346-4	103126-4	Hose Clamp	ID 12	2.00	
346-5	103127-3	Net Tube	ID1/4"x2.2tx143cm	1.00	
346-6	103127-2	Micro Control Block	PT1/4"x1/4"	1.00	
346-7	103125-5	Hose Clamp	ID 19	1.00	
346-8	103127-4	Net Tube	ID1/4"x2.2tx64cm	1.00	
346-9	103127-5	Net Tube	ID1/2"x2.8tx320cm	1.00	
346-10	103127-6	Micro Control Block	PT1/4"x1/2"	1.00	
351	105054	Switch Bracket		1.00	
352	HS228	Hex. Socket Head Screw	M6x10L	2.00	
354	103152	Motor Bracket		1.00	
355	HS242	Hex. Socket Head Screw	M8x20L	4.00	
356	103134	Support Sheet		1.00	
358	HS046	Hex. Head Screw	M8x18L	1.00	
359	HS045	Hex. Head Screw	M8x15L	1.00	
360	103135B	Bracket		2.00	
361	HS228	Hex. Socket Head Screw	M6X10L	4.00	
362	103137	Twisted Spring		2.00	
363	103135C	Support Rod		2.00	

PARTS LIST**MODEL NO. 335SRVA**

CODE_NO	PART_NO	DESCRIPTION	SPECIFICATION	QTY	NOTE
364	105056	Blade Cover		1.00	
365	HS228	Hex. Socket Head Screw	M6x10L	2.00	
366	105057	Limit Switch Support		1.00	
367	HS519	Cross Round Head Screw	M5x10L	2.00	
368	W004	Spring Washer	1/4"x19xt1.5mm	1.00	
370	103135A	Bracket		2.00	
377	103213	Ring		4.00	
378	103214	Flexible Plate		3.00	
379	HS243	Hex. Socket Head Screw	M6X20L	6.00	
383	HN004	Hex. Nut	M6	6.00	
384	HW004	Washer	M6	6.00	
415	HCR06	C-Retaniner Ring	R52	2.00	
416	CA30205J	Taper Roller Bearing (30205J)	30205J	2.00	
417	105060	Cover		3.00	
418	HW313	Star Washer	AW05	2.00	
419	1965043	Nut		1.00	
420	HB501	Grease Nipple	PT1/8	1.00	
853S	103063S2	Hydraulic Unit	3PH 1/4HP	1.00	335SRVA
854	HN004	Nut	M6	2.00	335SRVA
856	103387	Bracket		1.00	335SRVA
857	HS230	Hex. Socket Head Screw	M6x20L	2.00	335SRVA
858	HW005	Washer	M8	4.00	335SRVA
859	195083	Knob	1/4"X12L	1.00	335SRVA
860	103107	Scale		1.00	335SRVA
861	105211	Degree-Mark		1.00	335SRVA
862	103092	Shaft		1.00	335SRVA
863	103162	Down Bracket		1.00	
864	103164	Screw Plate		1.00	
865	HS519	Cross Round Head Screw	M5X10L	2.00	
866	103163	Bracket		1.00	
867	HS509	Cross Round Head Screw	M4X10L	4.00	